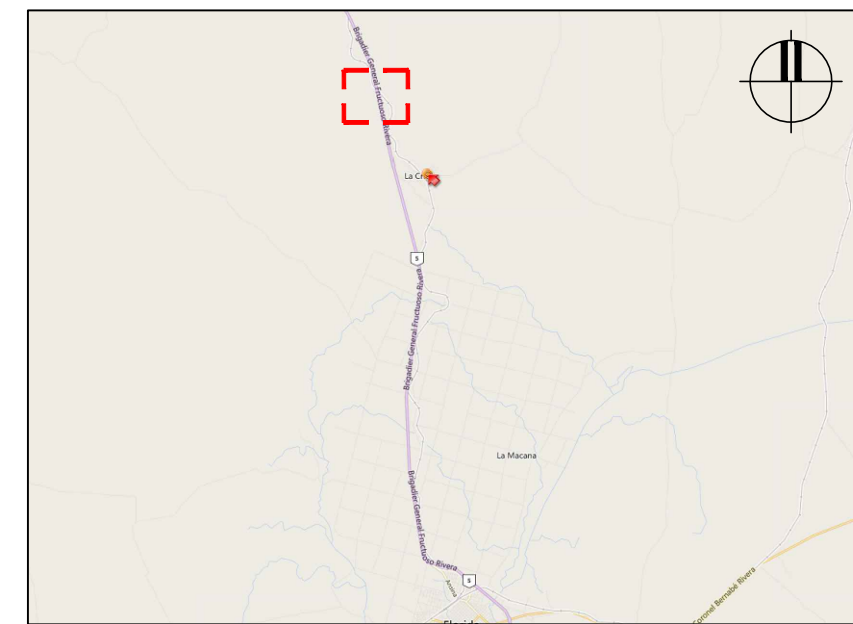




PLAN VIEW
SCALE 1:1000

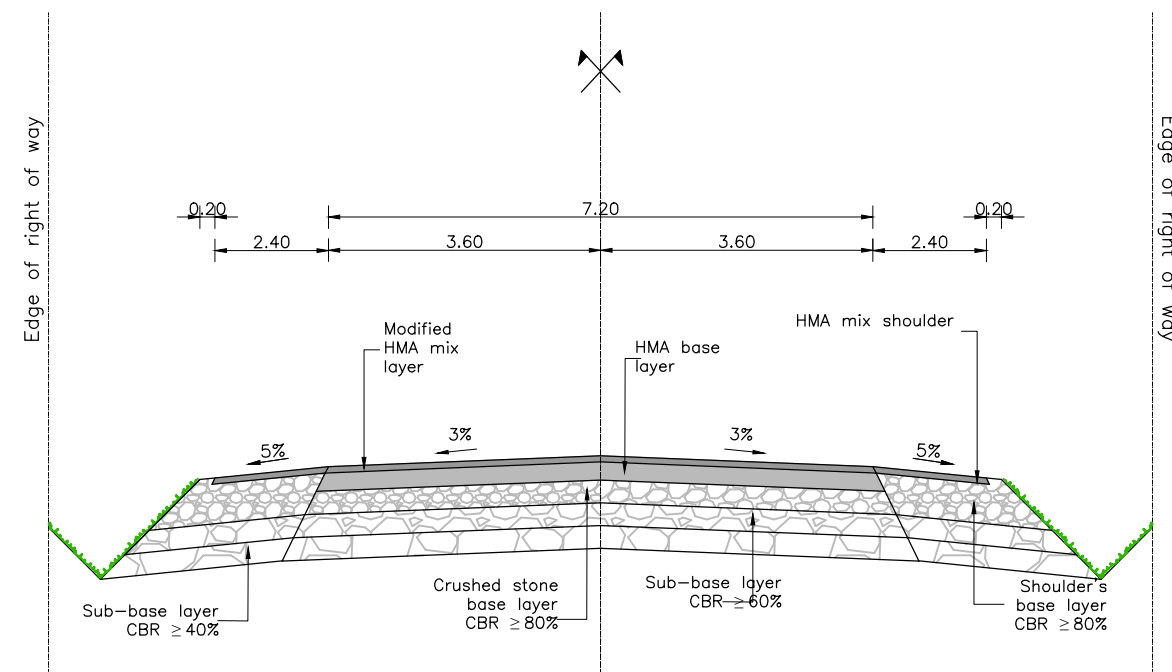


LOCATION VIEW

REFERENCES - PLAN VIEW	
SIGN	DEFINITION
	PROJECTED ALIGNMENT
	PROJECTED BRIDGE
	PROJECTED STREET PAVEMENT
	PROJECTED SHOULDER
	EXISTING STREET

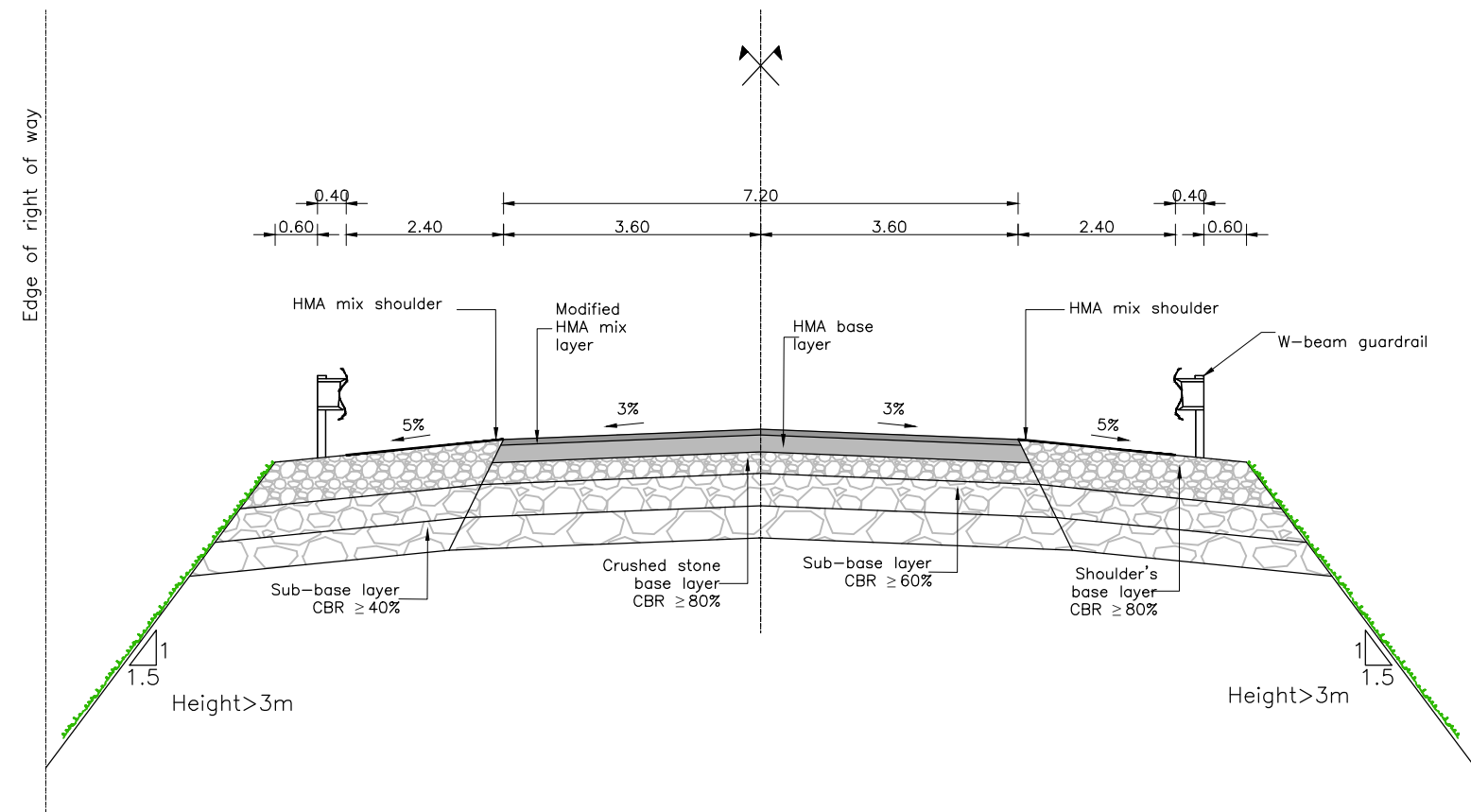
REFERENCES - PLAN VIEW	
SIGN	DEFINITION
	ANTEL - FIBRE OPTIC
	UTE - 15000V

HMA Rural highway
(without guardrails)



CROSS SECTION
SCALE 1:100

HMA Rural highway
(with guardrails)



Railway Project

130+480 La Cruz Ruta 5

Plan View
Services
Cross Section

CUSTOMER MINISTERIO DE TRANSPORTE Y OBRAS PÚBLICAS	PROJECT Railway Project	SCALE: 1:1000	PAPER FORMAT: A3
	DESIGN PHASE Pre-engineering, Phase 2	DATE: 05/02/2018	VERSION: SHEET ID:
SUPPLIER 			