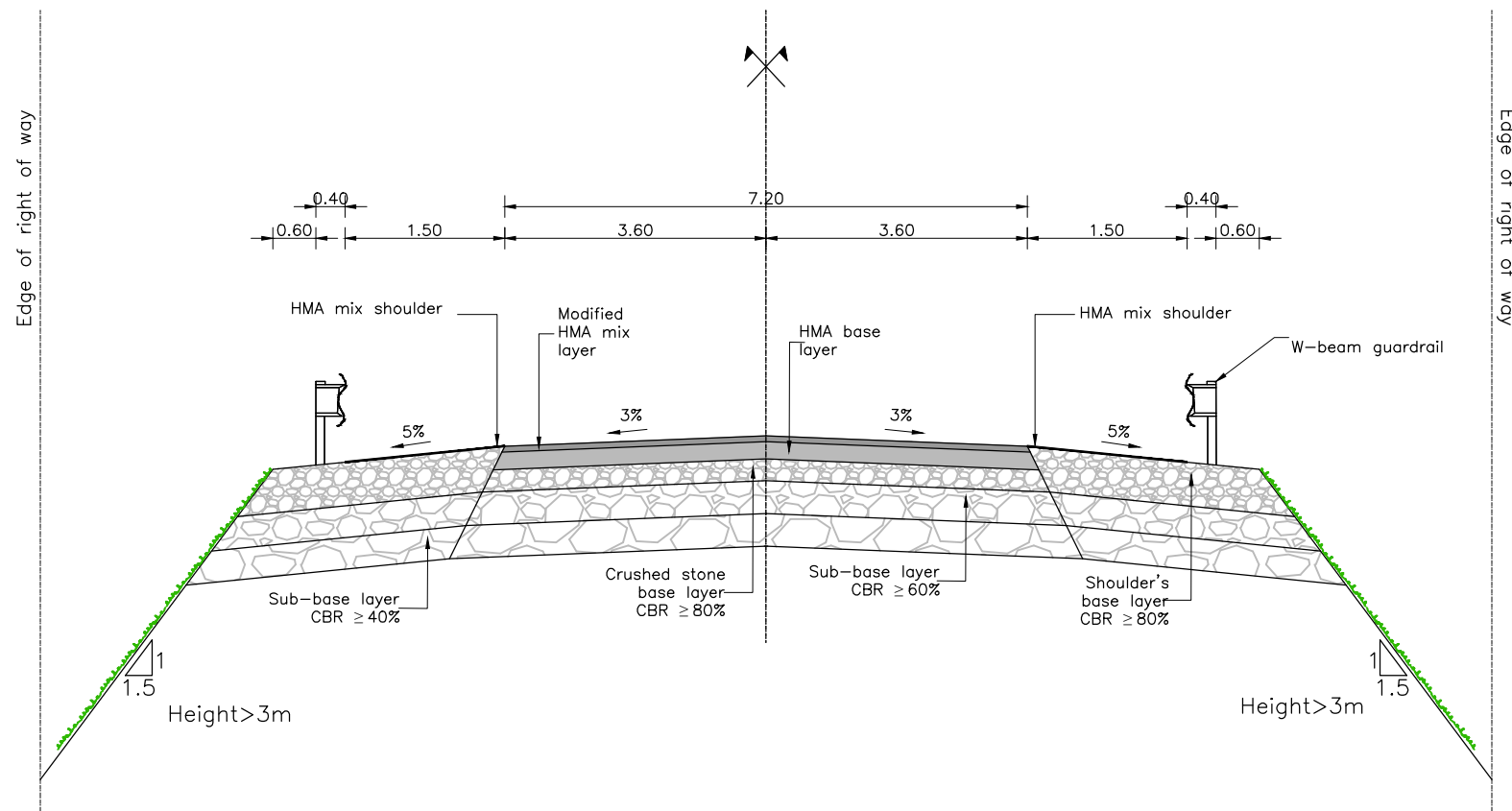
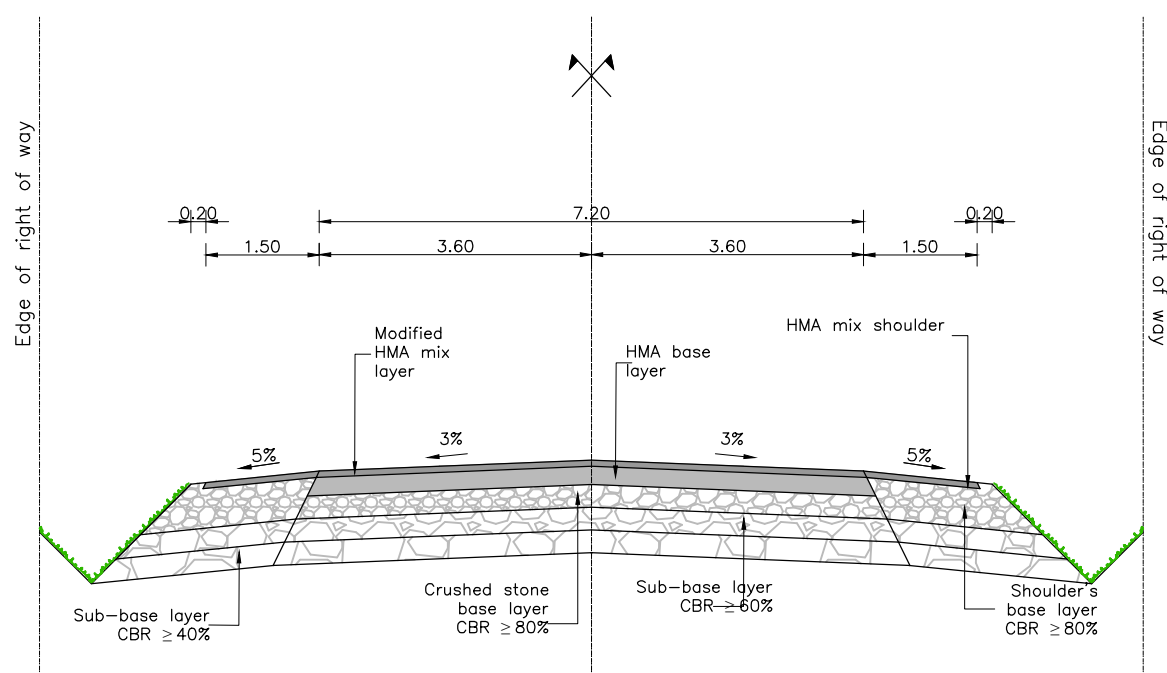




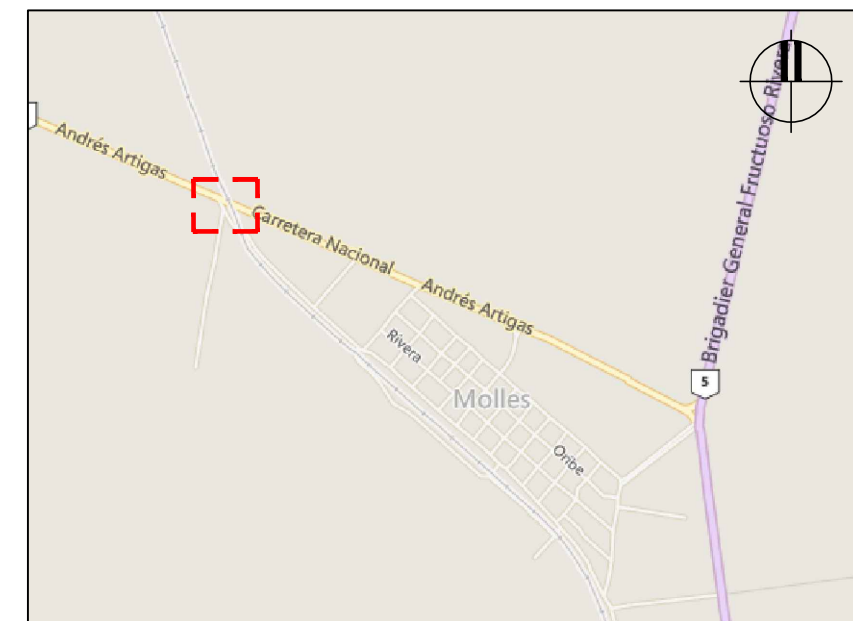
**PLAN VIEW**  
SCALE 1:1000

HMA Rural highway  
(without guardrails)

HMA Rural highway  
(with guardrails)



**CROSS SECTIONS**  
SCALE 1:100



**LOCATION VIEW**

REFERENCES - PLAN VIEW	
SIGN	DEFINITION
	PROJECTED ALIGNMENT
	PROJECTED BRIDGE
	PROJECTED STREET PAVEMENT
	PROJECTED SHOULDER
	EXISTING STREET

REFERENCES - PLAN VIEW	
SIGN	DEFINITION
	ANTEL - FIBRE OPTIC
	UTE - 15000V

**Railway Project**

**238+210 Molles Ruta 4**

Plan View  
Services  
Cross section

CUSTOMER MINISTERIO DE TRANSPORTE Y OBRAS PÚBLICAS	PROJECT	SCALE:	PAPER FORMAT:
	Railway Project	1:1000	A3
SUPPLIER 	DESIGN PHASE	DATE:	VERSION:
	Pre-engineering, Phase 2	05/02/2018	SHEET ID: