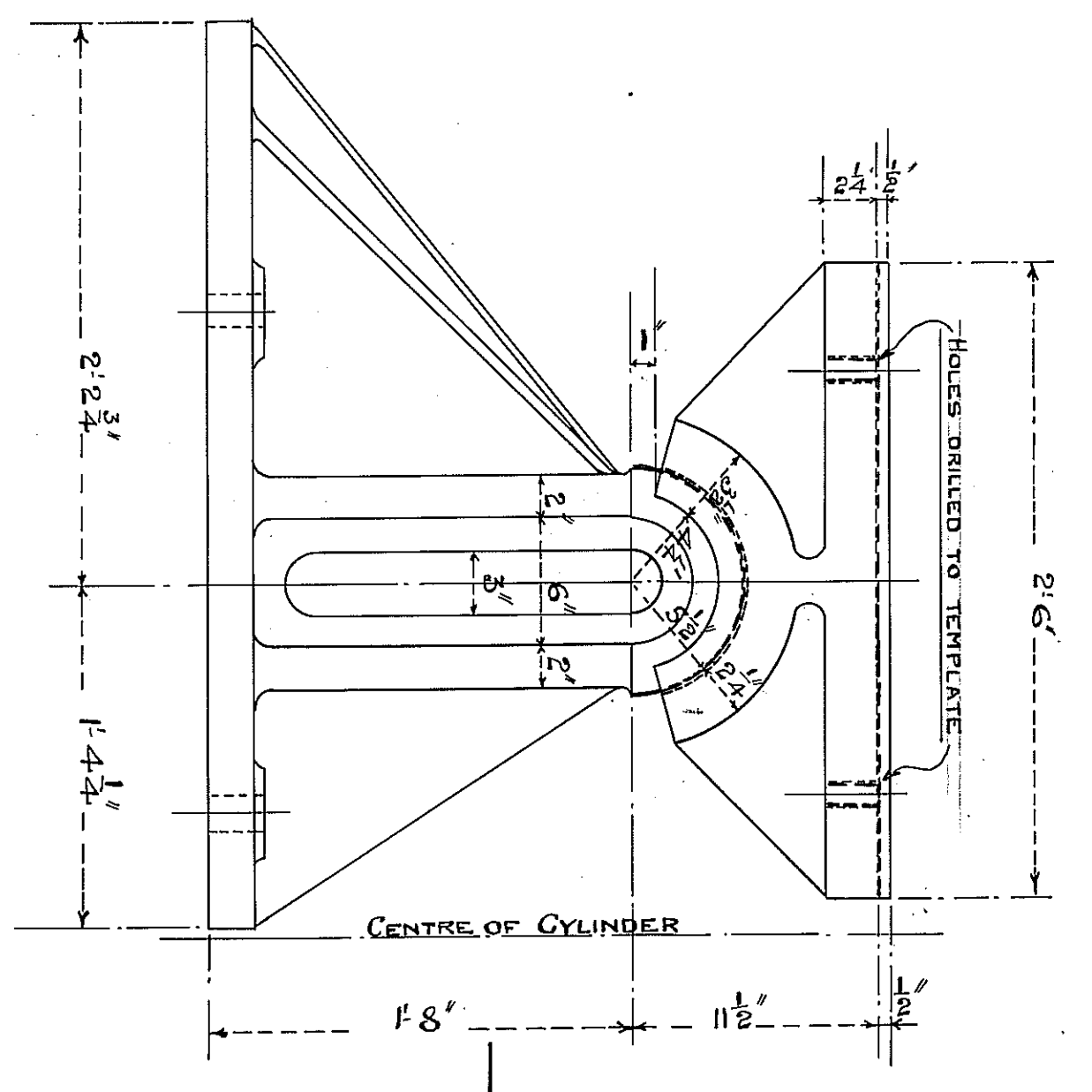
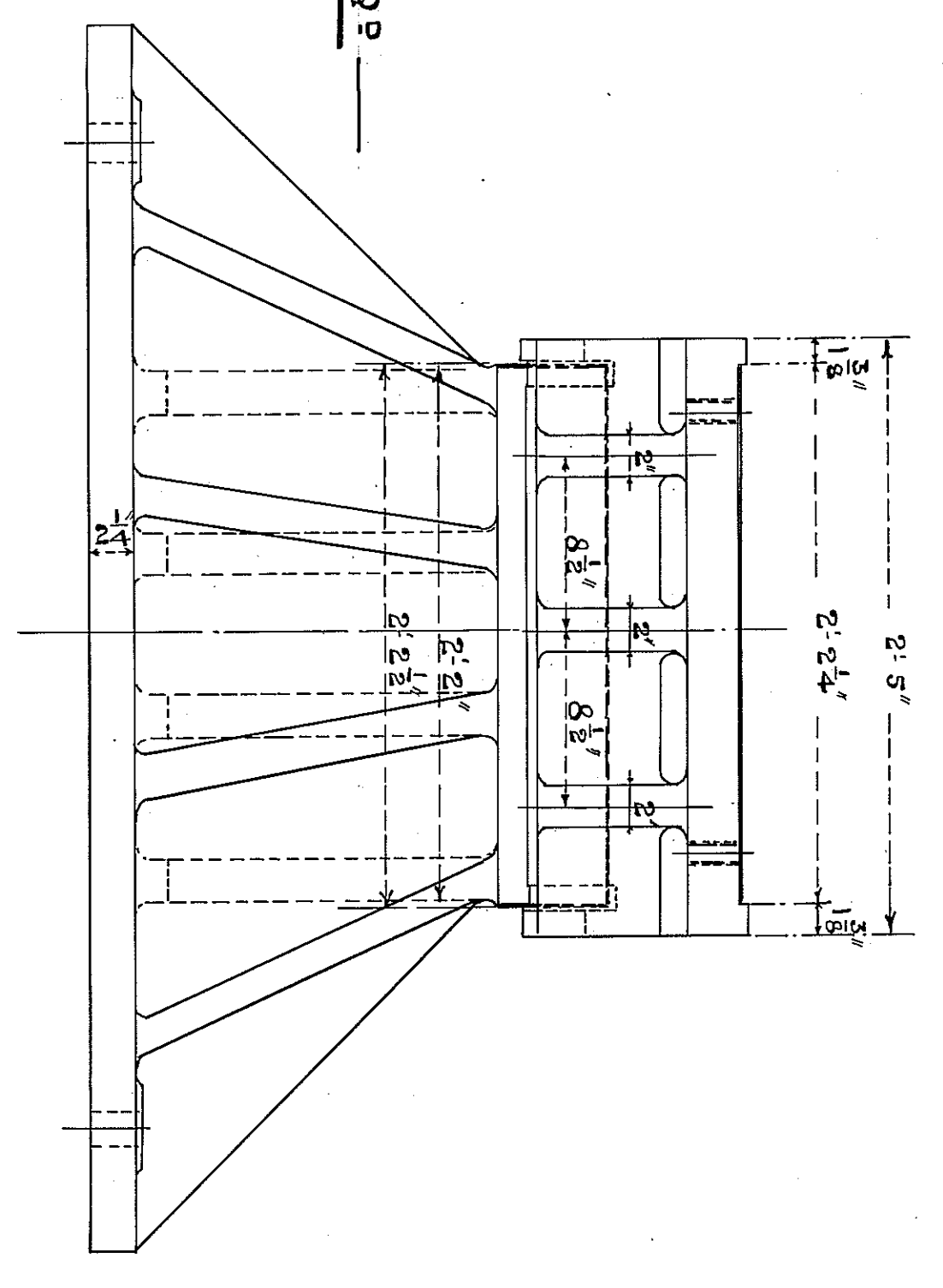


DETAILS OF FIXED & EXPANSION BEARINGS.

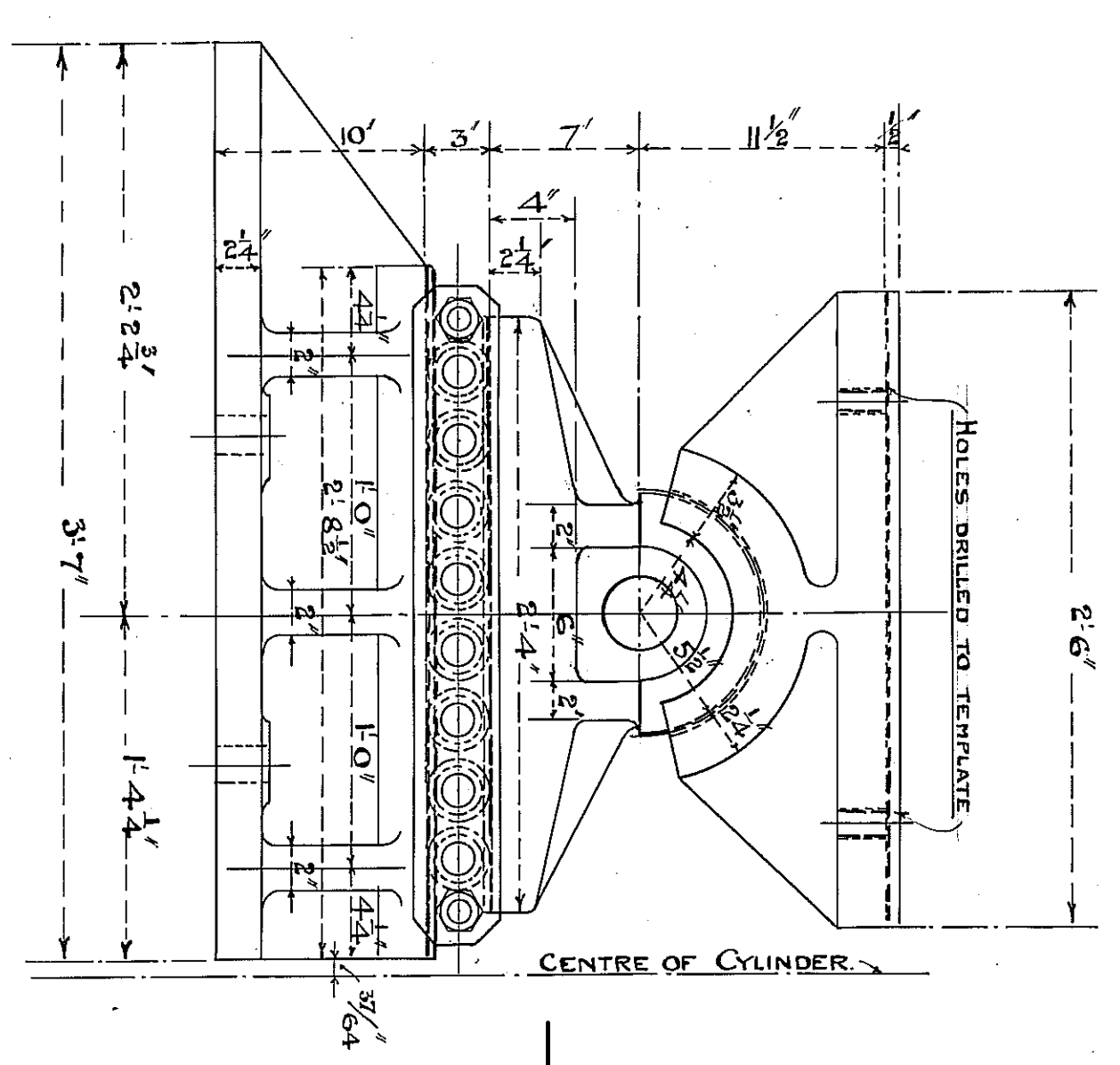
SCALE  $1\frac{1}{2}'' = 1 \text{ FOOT}$



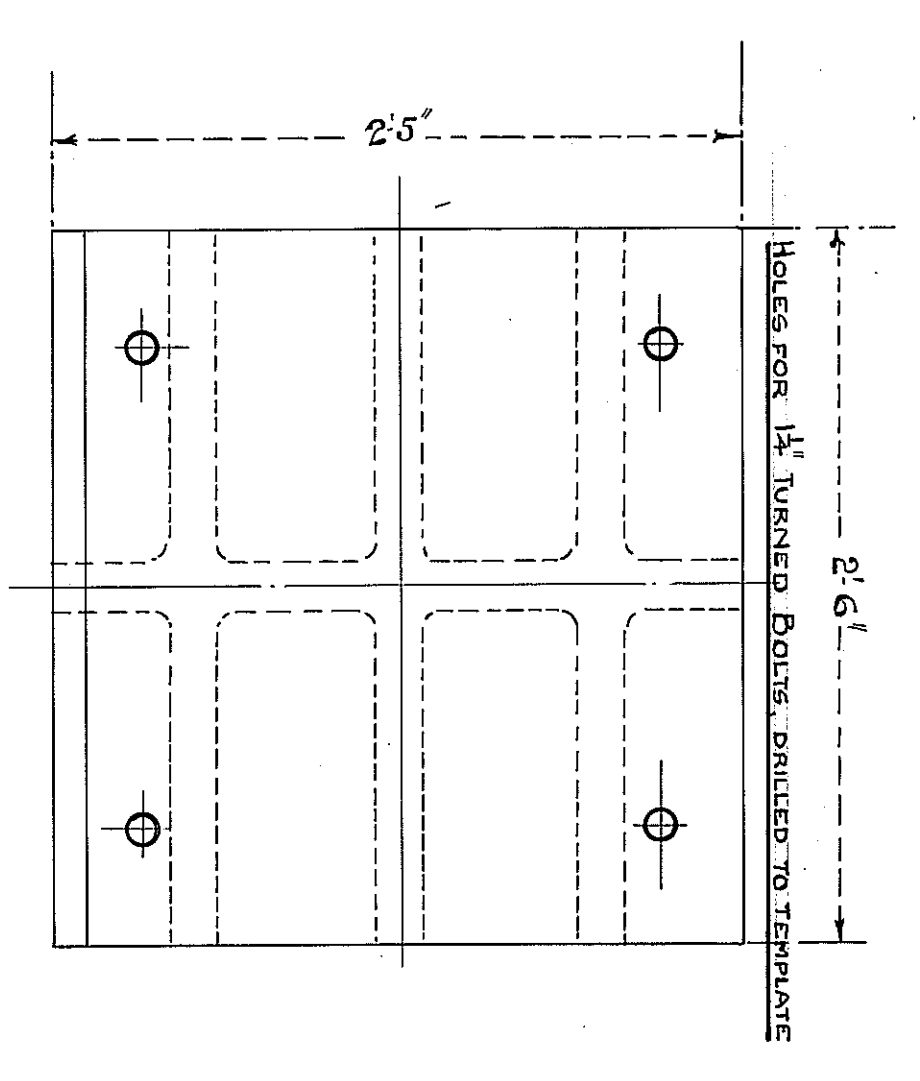
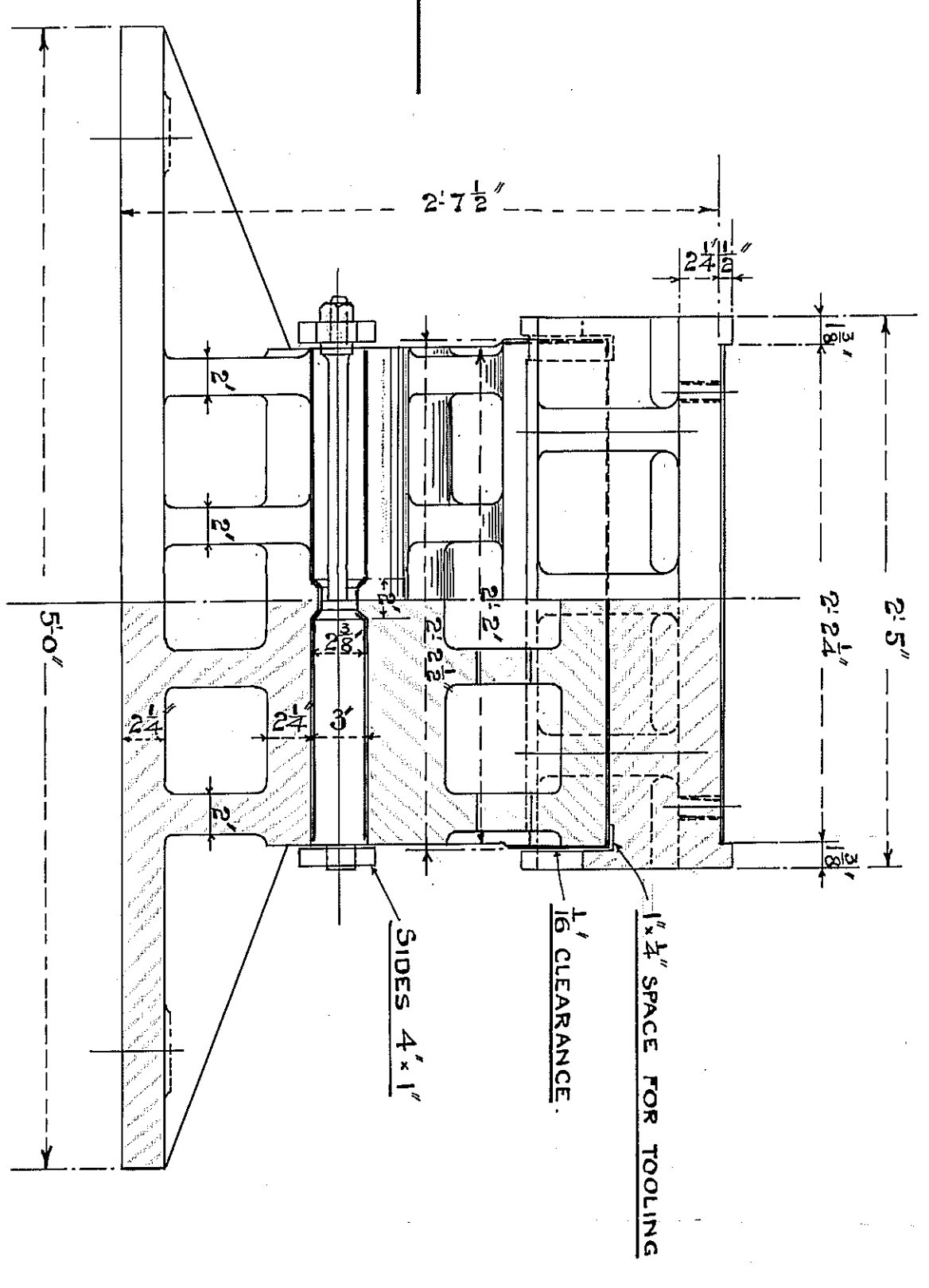
2 SETS REQD



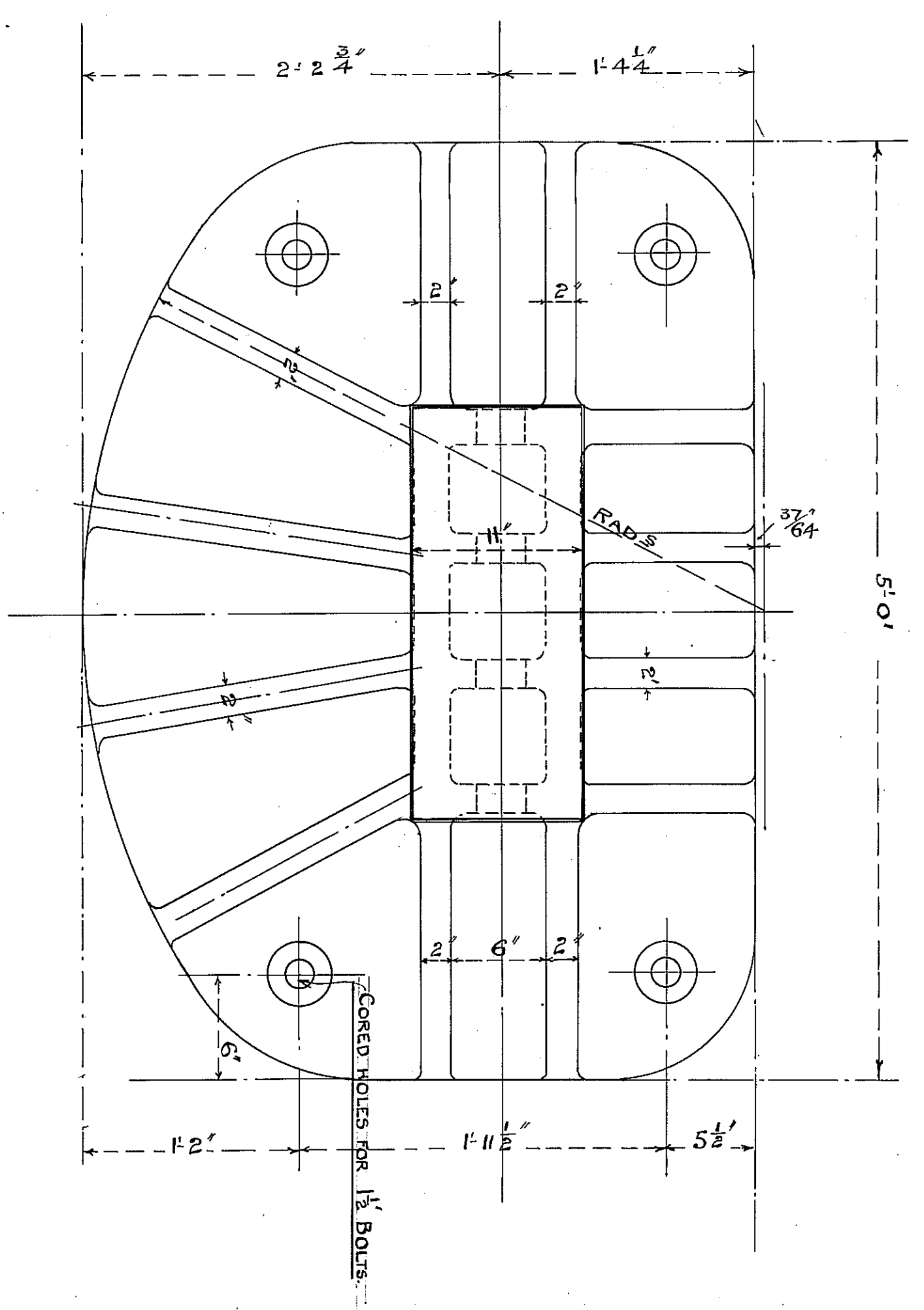
2 SETS REQD



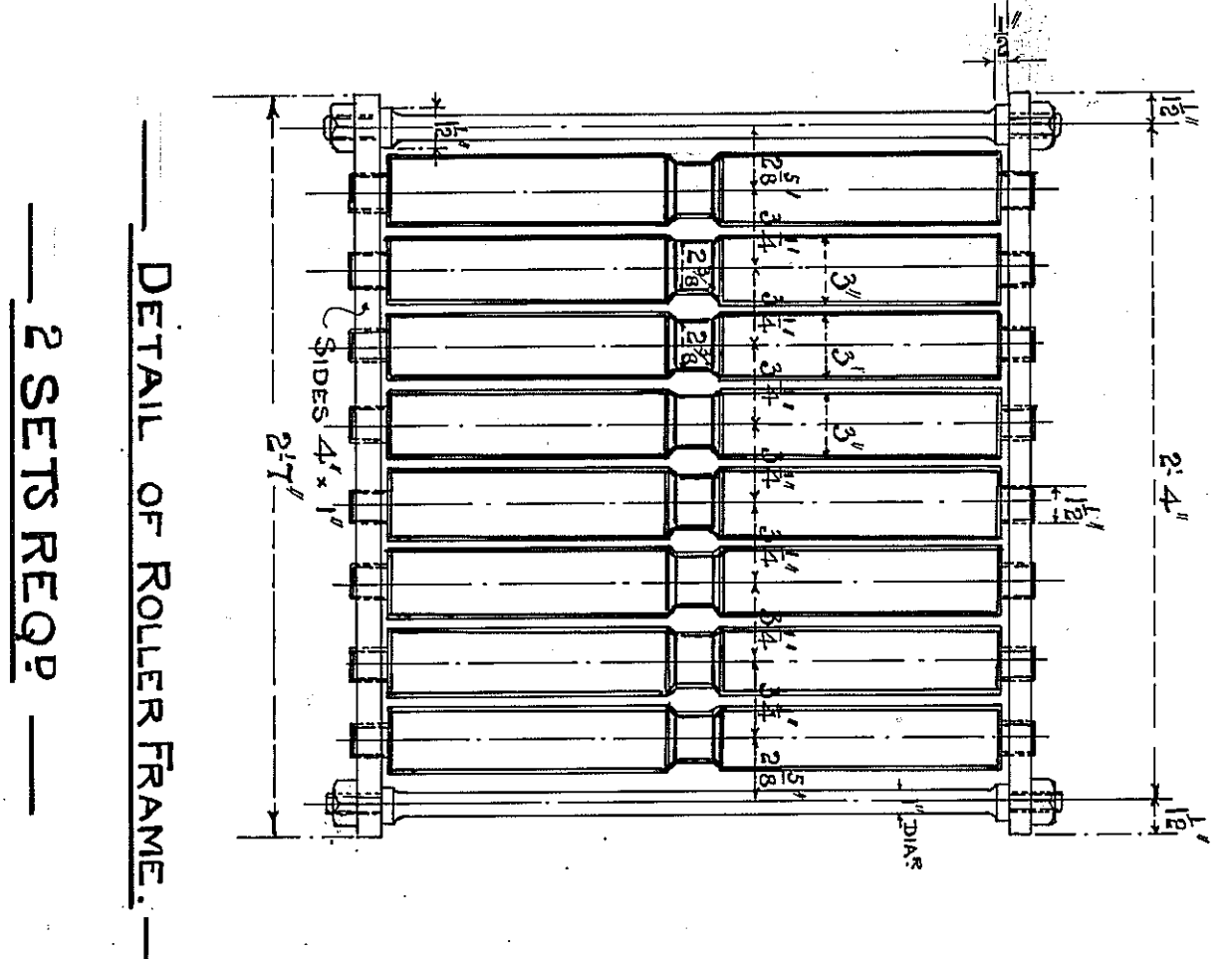
2 SETS REQD



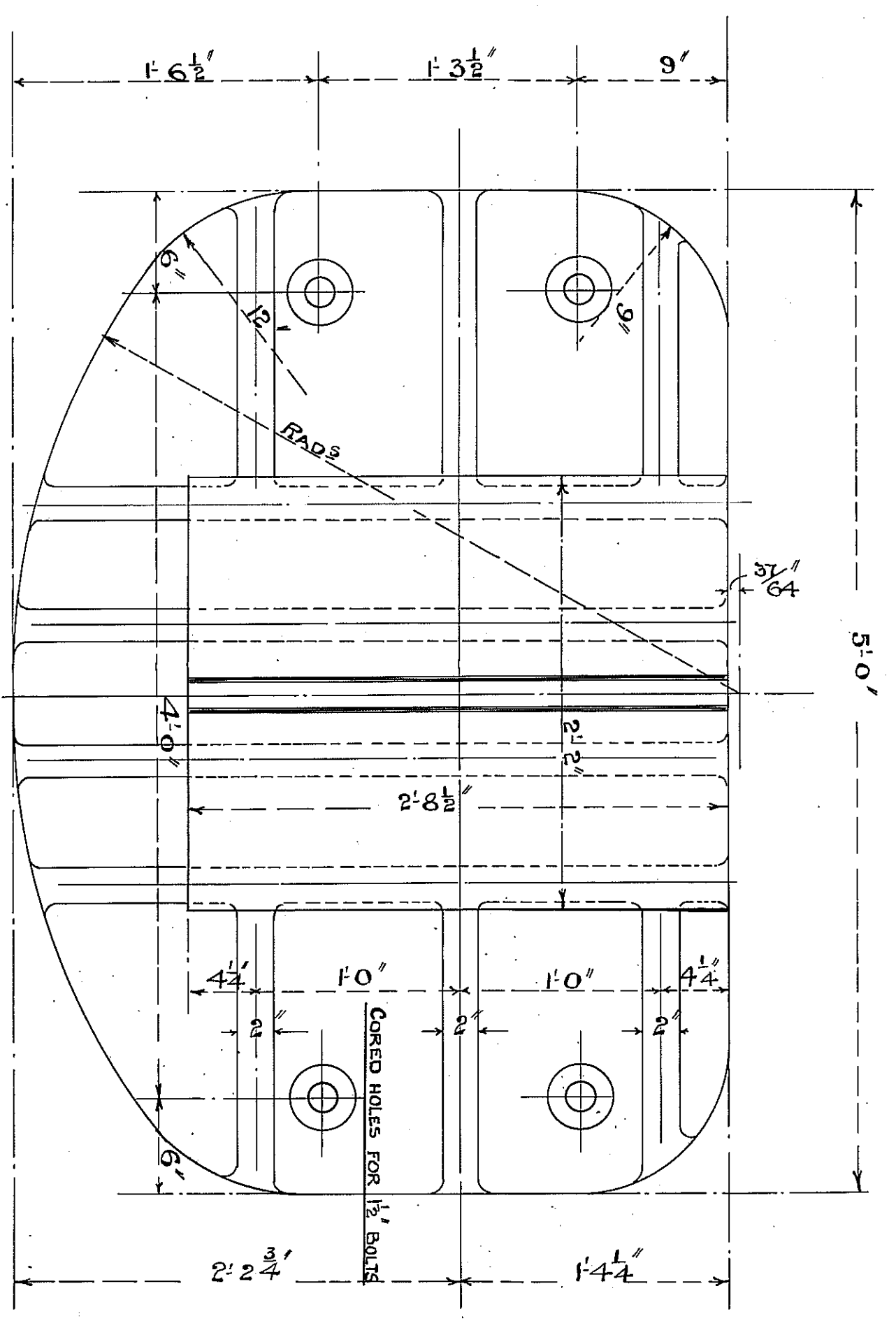
PLAN ON SADDLE.



DETAIL OF KNUCKLE (FIXED END).



2 SETS REQD



DETAIL OF BEDPLATE (EXPANSION END)

EACH CASTING TO HAVE THE LETTERS "C.U.R." CAST ON.

SURFACES TO BE MACHINED WHERE TINTED RED.

